


TouchOpen for quick and easy access

The 800 TouchOpen Microwave with soft touch mechanism is the easiest way to access your food. With one action, the door opens quickly and smoothly, for seamless convenience.

Product Benefits & Features
TouchOpen for easy access

Our microwave with TouchOpen design gives you easy access to your food. The door opens seamlessly at the touch of a button, thanks to the specially designed soft mechanism. In one smooth movement you can enjoy quick access to dishes.


Grill for versatile meals

Enjoy bubbling mozzarella toasties and succulent grilled chicken in our microwave. The additional grill function means that you can enjoy your favourite dishes – fast.


A microwave ReTurntable that remembers where it started

We've designed this microwave oven so that dishes are always in the ideal position. This is because the door unlocks when the ReTurntable returns to where it started. No cup handles facing the wrong way, no hot plates in awkward positions. Just effortless access, every time.

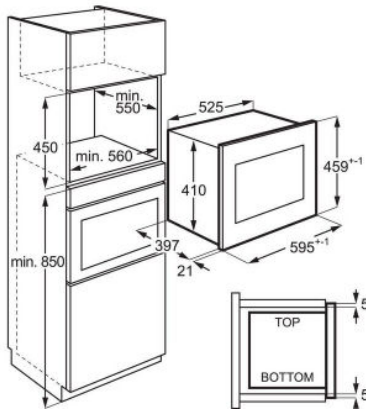


- Microwave for fully integrated built-in installation
- Built-in possibilities in combination with other appliances: Over oven
- Door opening mechanism: Electronic
- Cooking modes: Microwave, Grill, Microwave & Grill
- Microwave power: 900 Watt, 5 levels
- Grill power: 800 Watt
- Quick start function at full power with 30 sec. intervals
- Automatic defrosting programs by weight
- Child lock
- End of cook cycle signal
- Automatic cooking programs by weight
- LED display
- Touch control power selection
- Electronic clock with timer
- Internal light
- Turntable diameter and material: 325 mm, Glass
- Included accessories: Grill rack, Low grill rack

Product Specification

Installation type	Built_In	Start/Stop control	Touch control
Product Typology	Microwave_Oven	Turntable	Integrated returntable
Product Classification	Statement	Signals	End signal, Touch signal
Installation	FBI	Defrost by weight	Bread, Fish, Meat, Poultry
Design family	Electrolux 100	Cooking	Microwave/Grill
Design level	MWO-FBI		
Main colour	Black/Black		
Cavity colour	Stainless Steel		
Window colour	Transparent		
Screen colour	Black		
Type of window	Glass		
Finish	Glass, Gloss		
Type of display guide	LED, Symbol		
Clock	12 h, 24 h		
Electronic type	95 min		
Grill timer, min.	90		
Power levels	5		
Grill power levels	1		
Type of power control	Touch control		
Control knobs, type of	Encoder		
Grill selec. controls n° of	1		
Grill selec. controls, type of	Touch control		
Cooking modes	Microwave, Grill, Microwave & Grill		
Door open mechanism	Electronic		
Function indicators	Display		

241118XBAV



PSGBMC220DE00002

